

EM 324

**Non-reversible 24V DC
electro-mechanical operator
for swing gates up to 3 metres.
Residential use.**



Easy installation:

- no adjustments required,
- the connectors have been designed for assembly with screws, also for applications on wood, PVC and aluminium gates,
- recovery of any gate "play" directly on the brackets.

Maximum safety guaranteed by low voltage.

Service continuity guaranteed in case of power failure by an optional emergency battery unit.

Innovative design.

TECHNICAL DETAILS

Adjustable rear bracket, with holes for allowing different application dimensions.

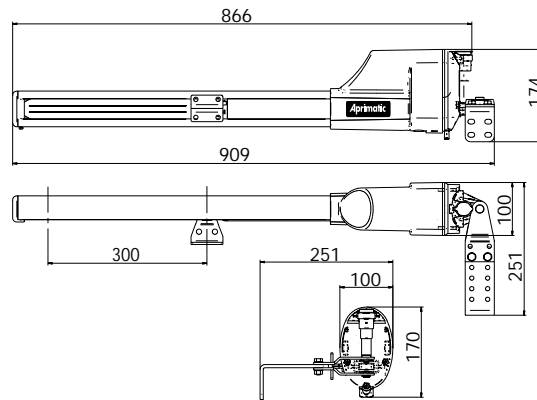
An electric lock is recommended for gates of more than 1.8 metres.

For the emergency release operation, the gear motor has a key which can be customised on request.

TECHNICAL DATA	EM 324 B
POWER SUPPLY	24V DC
POWER ABSORBED	60 W
CURRENT ABSORBED	2,5A
ROD STROKE	300 mm
OPENING TIME TO 90°	22 sec
MAX. THRUST FORCE	3000 N
OPERATING TEMPERATURE	-20°/+70° C
MAX GATE WIDTH WITHOUT ELECTRIC LOCK	1.8 m
MAX GATE WIDTH WITH ELECTRIC LOCK	3.0 m
MAX. GATE WEIGHT	250 Kg
MAX. NO. CYCLES	50 cycles/day
ANTI-CRUSH PROTECTION	Electronic
PROTECTION RATING	IP 44



OPERATOR DIMENSIONS



DESCRIPTION	Max. wing length	CODE
EM 324 B Non-reversible operator. Standard key release Electric lock NOT required. Aluminium stem guard.	1.8 m without electric lock 3.0 m with electric lock	64562542
SET EM 324-B Set composed of: two electro-mechanical, non-reversible, EM 324-B operators, one electronic control unit, standard release key, sign plate.	1.8 m	64711542

IDEAL INSTALLATION	CODE
SET EM 324-B Set composed of: two electro-mechanical, non-reversible, EM 324-B operators, one electronic control unit, standard release key, sign plate.	64711542
Pair of ER4N photocells	6635100000008
Unico 433,92 MHz Memory System radio receiver with built in antenna	63394000
One TR2 433,92 MHz twin-channel transmitter	62923000
ET2N 24V flashing unit	64105000

DESCRIPTION OF OPTIONAL ACCESSORIES	CODE
TR2 433.92 Mhz twin-channel transmitter	62923000
Pair of ER4N photocells	6635100000008
Kit Antenna 433,92 Mhz for ET2N/ET20N	64644000
Antenna 433,92 Mhz	62577000
PC12 key push button	64063000
CAL Aluminium column for the ER4N photocells	63450000
ES3 electric lock complete with ground striker plate for operators without locks (SF-SR) requires a CL series cylinder	6606400000005
CL1 "DEAD HEAD" single cylinder	6605800010002
CL2 "DEAD HEAD" double cylinder	6605800010001

NOTES: For the control and safety devices, see pages 74-85. For the other installation accessories, see pages 86-87.