



# S-160 SUPER HEAVY DOOR AUTOMATIC DOOR SYSTEM SERIES



## A.D.S MasterMatic PTY LTD

4 Colrado ct  
Hallam, VICTORIA 3803  
[www.adsmastermatic.com.au](http://www.adsmastermatic.com.au)  
[info@adsmastermatic.com.au](mailto:info@adsmastermatic.com.au)  
P: (03) 9796 3611  
F: (03) 9796 3823



# S-160 SUPER HEAVY DOOR



**DURABLE HANGING TWIN WHEEL**



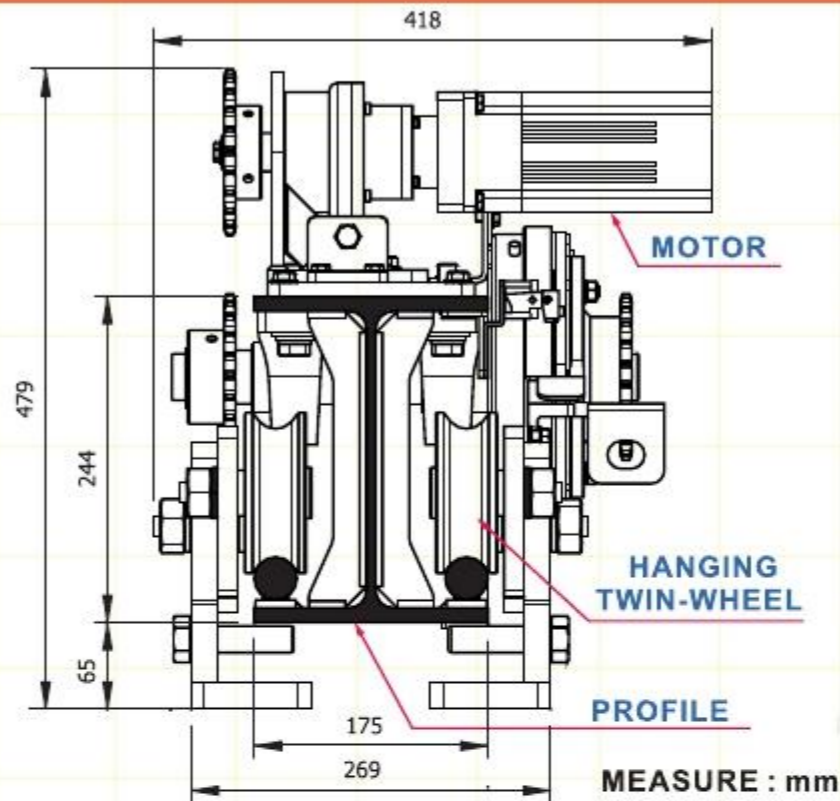
**DC320V 370W BRUSHLESS DC MOTOR (PLANETARY GEAR)**



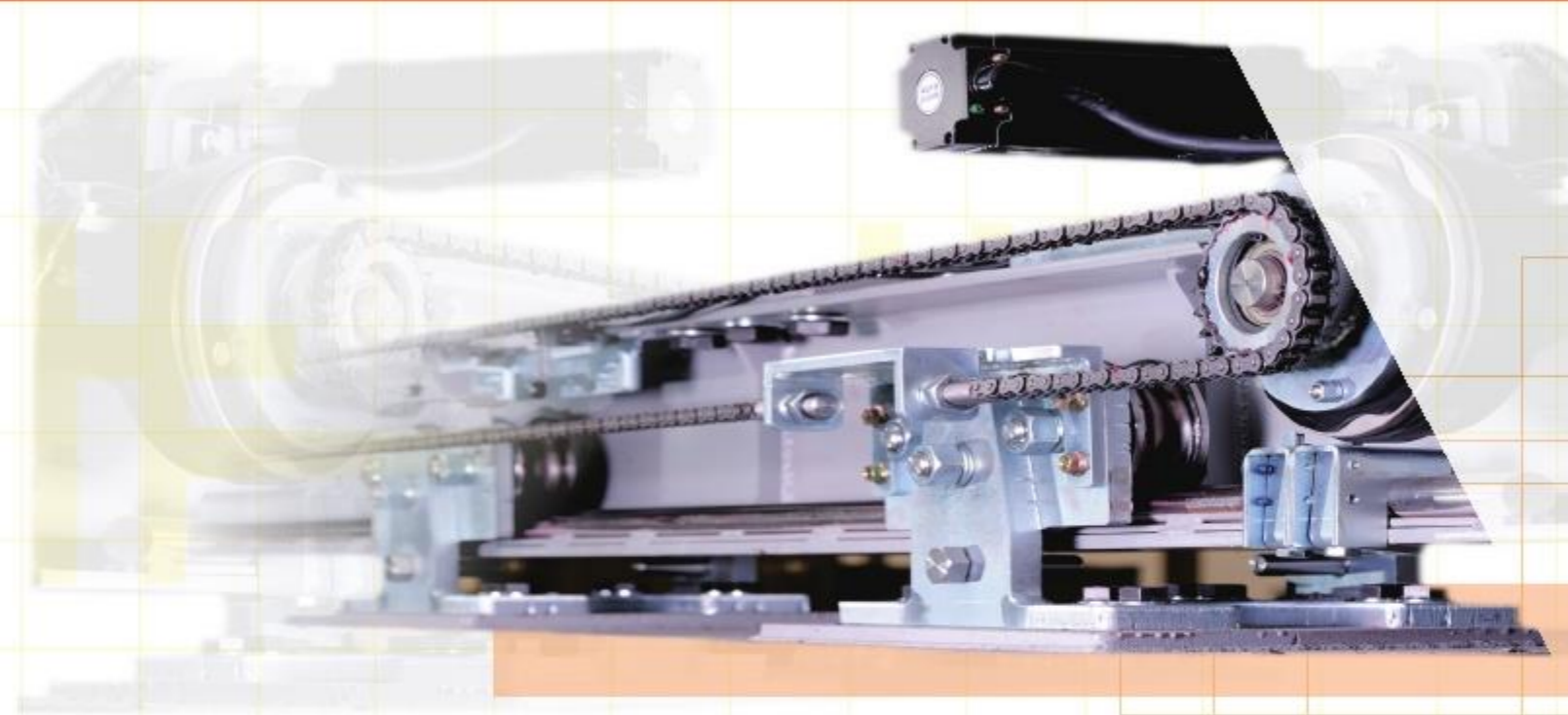
**CONTROL SYSTEM**



**CONTROL SYSTEM**

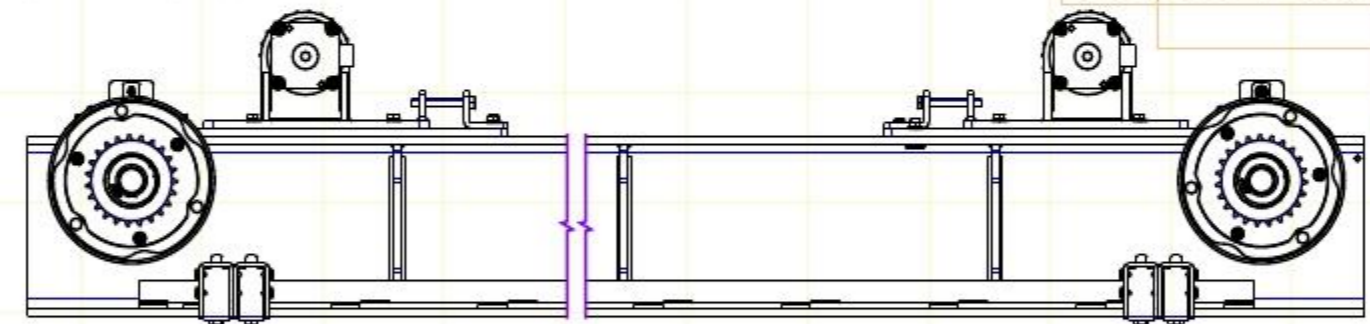


TYPE	S-160/S-161	
MODEL	SINGLE-WINGED	BI-PARTING
DOOR WEIGHT	10000kg X1(DOOR)	8000kg X2(DOOR)
DOOR WIDTH	1M-6M	1M-6M
PROFILE TYPE	H-TYPE STEEL/SINGLE TRACK	
MOTOR	DC320V 370W BRUSHLESS DC MOTOR (PLANETARY GEAR)	
TRANSMISSION DEVICE	ELECTROMAGNETIC BEARING-MOUNTED CLUTCH	
CONTROL	STANDARD MICRO-CONTROL	
POWER CONSUMPTION	370W	
VOLTAGE	AC220V	
ENVIRONMENTAL TEMPERATURE	-20°C~+50°C	
VOLUME	65 DECIBEL(MAX.)	
STARTING SPEED	230mm/SEC.	200mm/SEC.
STARTING TIMES	0-20 SEC. (REGULABLE)	
TRANSMISSION IMPORTANT CONDITION	ROLLER CHAIN 50-1R	
OPENING DOOR RANGE	FULL/HALF-OPEN (REGULABLE)	
MATERIAL of HANGER	STAINLESS 304	
BEARING	ROLLER BEARING	
SECOND SYSTEM	NONE/INCLUDING	



**SPARE SYSTEM**

**MAIN SYSTEM**



## Our Operator's Features

- ★ Install in the big factories, airports, hospitals of radiation prevention door and many other large doors applications.
- ★ Second System - Equipped with the spare motor and control box to support when the main system is faulty.
- ★ Safety Function - Push "Emergency stop switch, " Door will stop immediately at any position.
- ★ Hanging Twin Wheel installs in two sides of the door panel, can balance the heavy Door weight well.