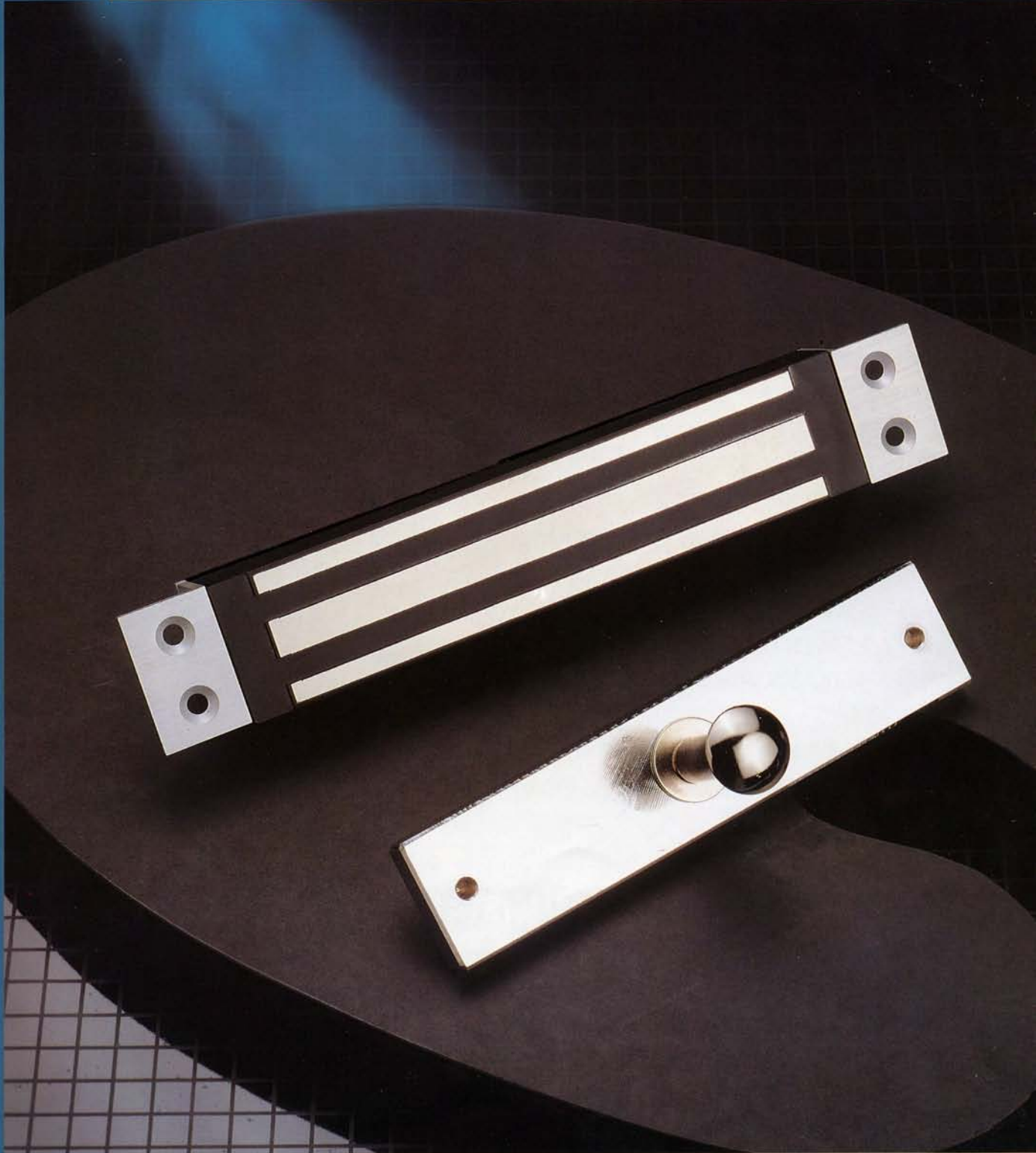




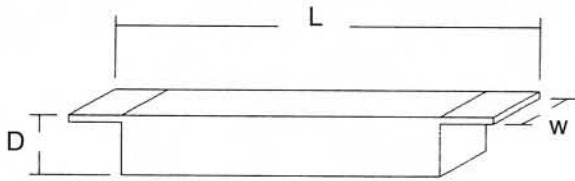
ELECTRO-MAGNETIC LOCKS

Escape Doors/Emergency Exits/Access Control Systems



VGSE PROVIDING LIFETY AND SECURITY

MLS SERIES



LVD

ORDERING INFORMATION

MLSO1

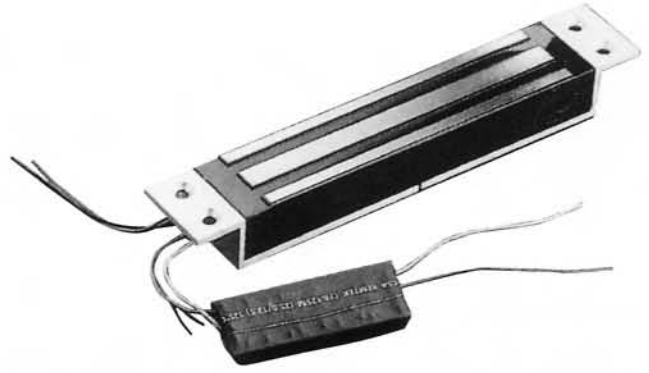
T

TIMER 0-90 SEC.

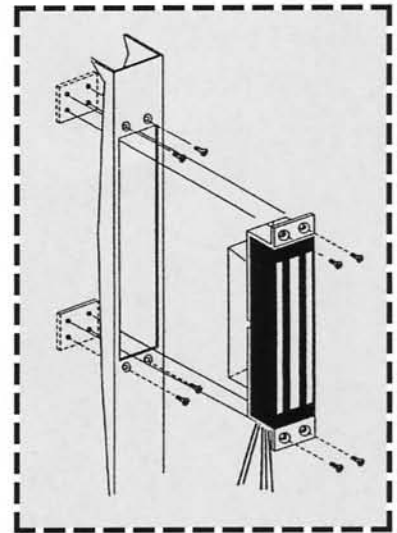
MLS SERIES

SPECIFICATION

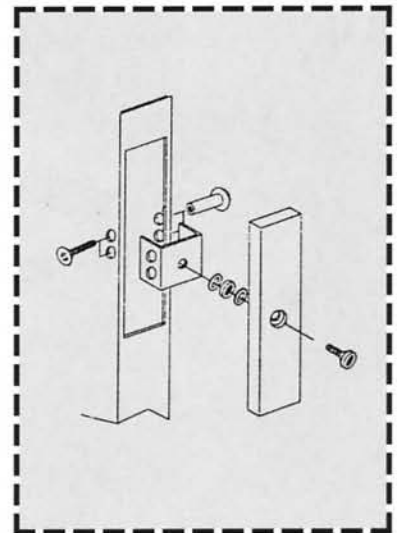
- ARMATURE SIZE(160mmL x 36mmW x 11mmD)
- LOCK SIZE(228mmL x 38mmW x 27mmD)
- HOLDING FORCE 250KGS
- UNIT WEIGHT(APPROX.) 2KGS
- NOMINAL VOLTAGE 12VDC OR 24VDC
- NOMINAL CURRENT 12V/480mA OR 24V/240mA
- VOLTAGE TOLERANCE $\pm 10\%$
- NOMINAL POWER (ABOUT 6.0W)
- CONTACT(REED SW.)RATING 0.5A 30VDC/AC
- TIMER 0-90 SEC.
- FEATURES: 1. BUILT IN VOLTAGE SPIKE SUPPRESSOR
2. NARROW MOUNTING DESIGN



INSTALLATION DIAGRAM

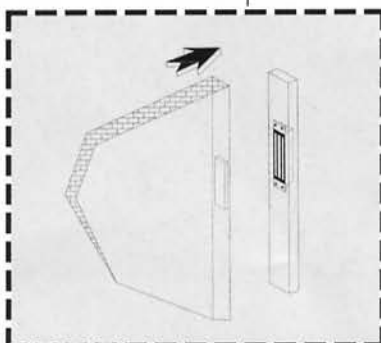


USE FOR MAGNET

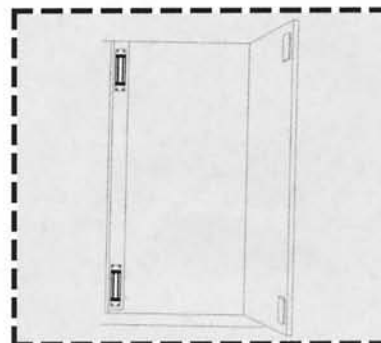


USE FOR ARMATURE PLATE

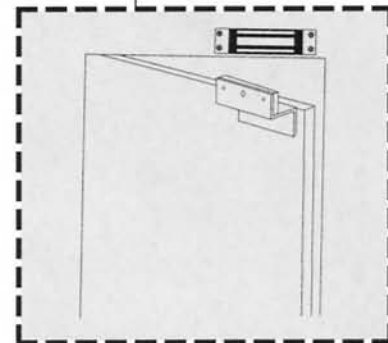
TYPICAL INSTALLATION



SLIDING DOOR



MORTISE



MORTISE